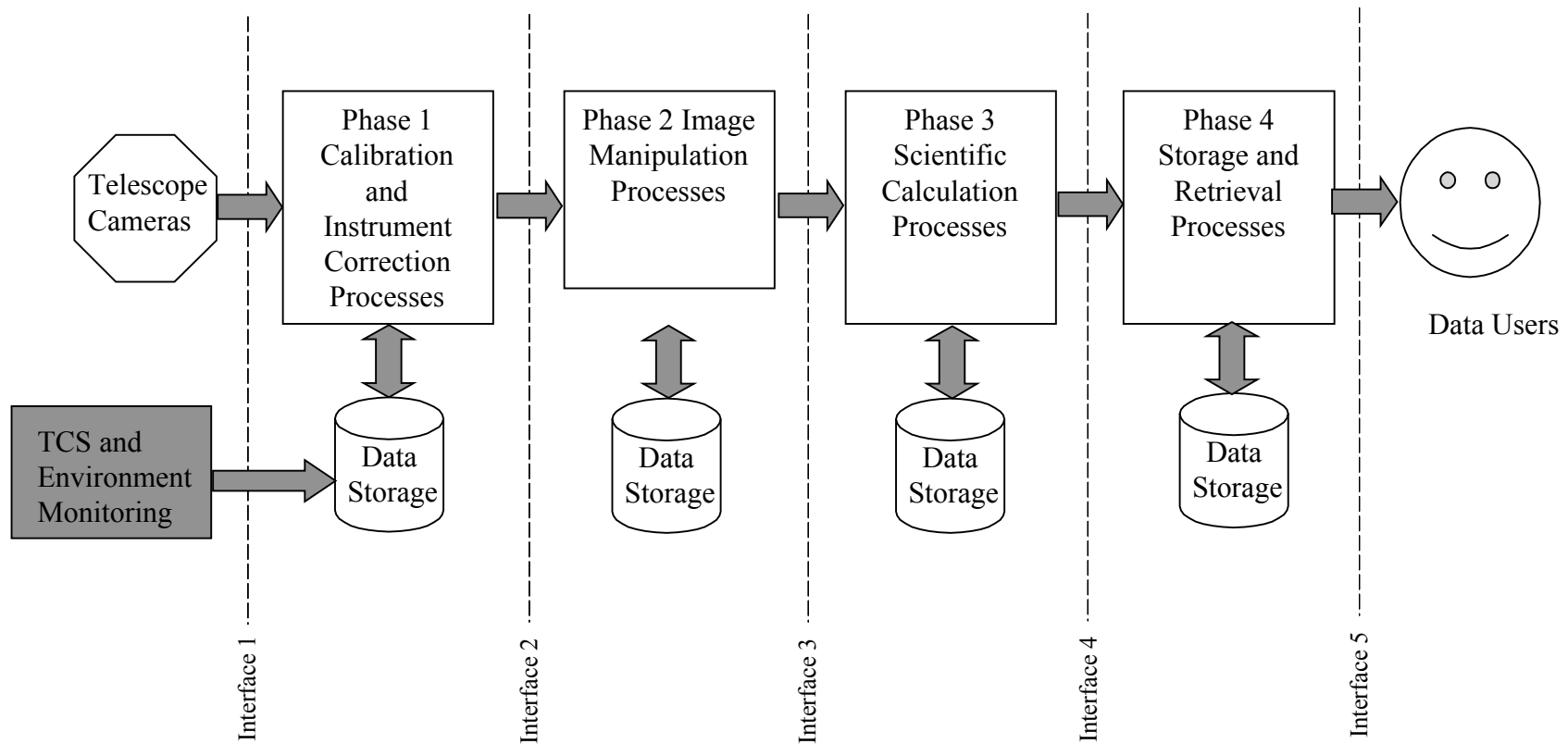
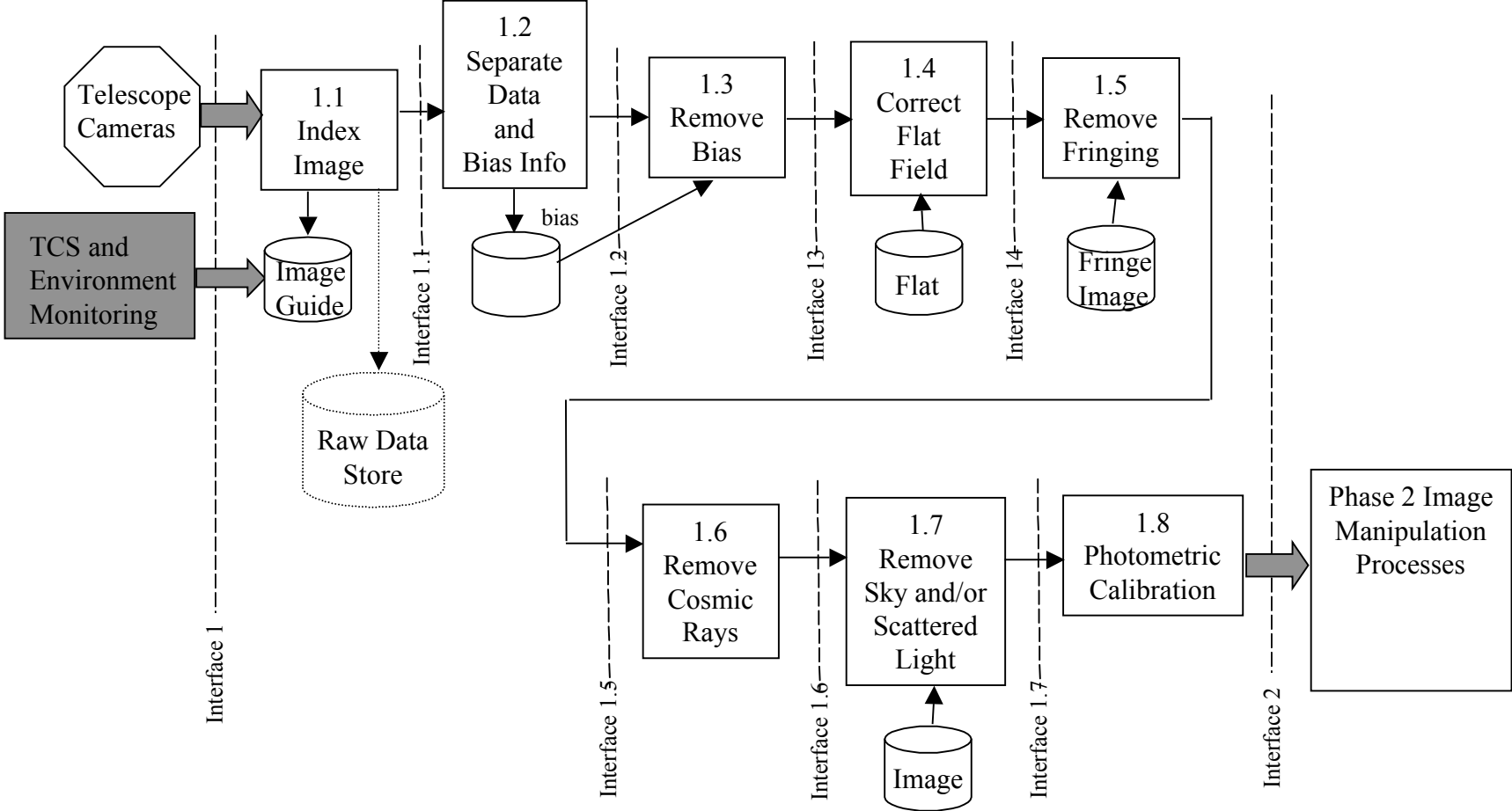


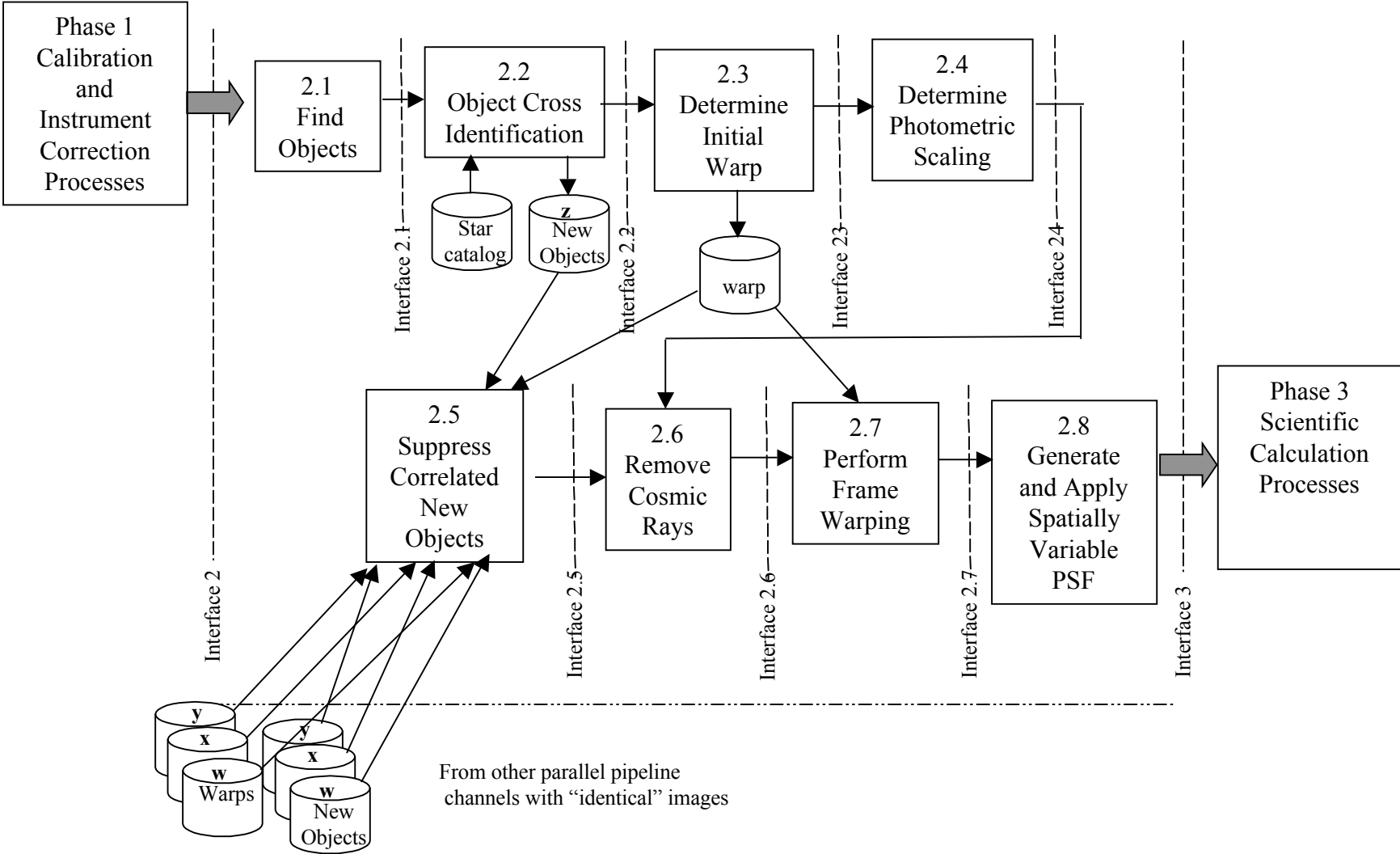
Top Level Data Flow and Principle Interfaces



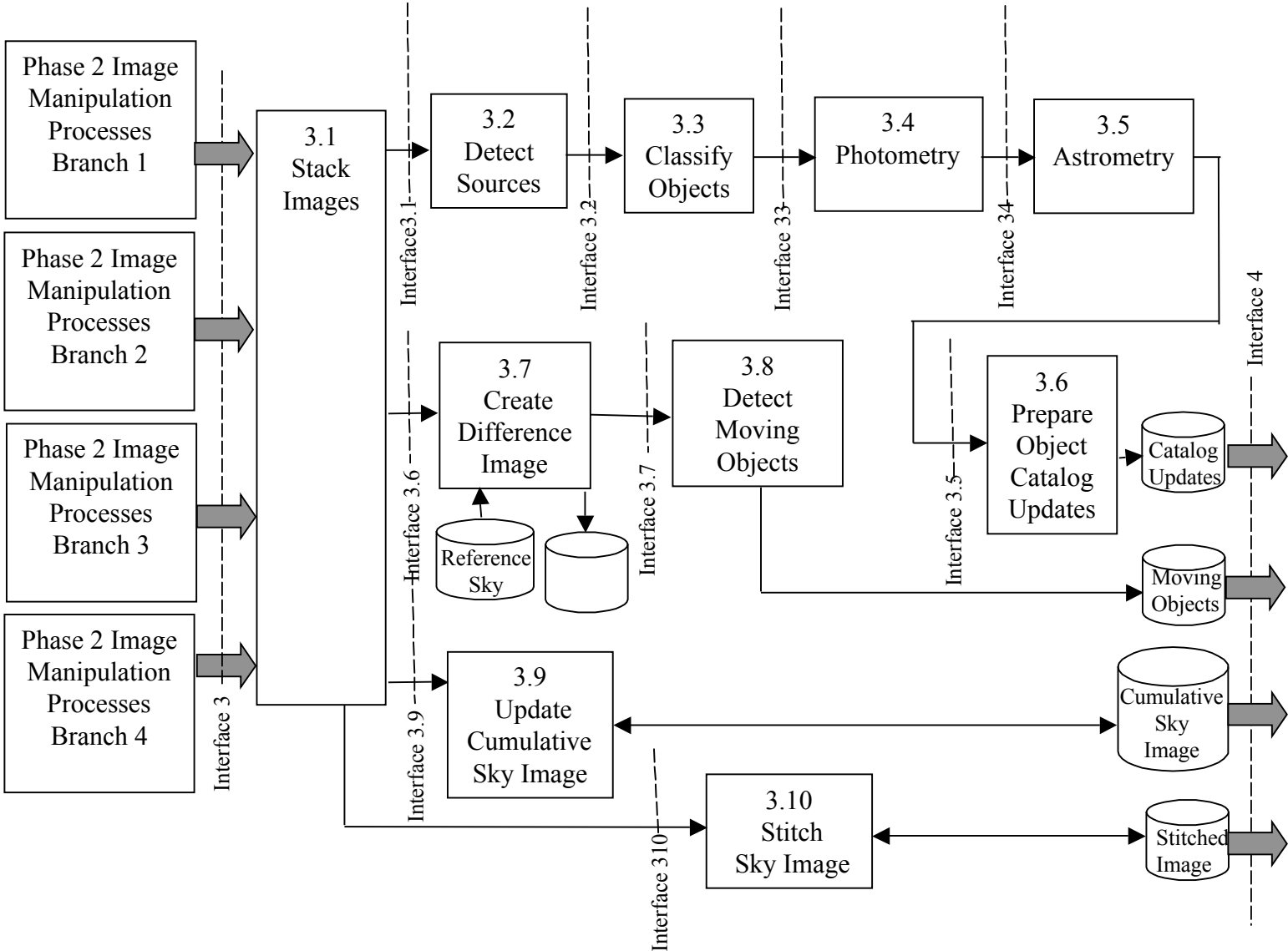
Phase 1 Data Flow and Internal Interfaces



Phase 2 Data Flow and Internal Interfaces



Phase 3 Data Flow and Internal Interfaces



Process x.y, Qwaetasytst

